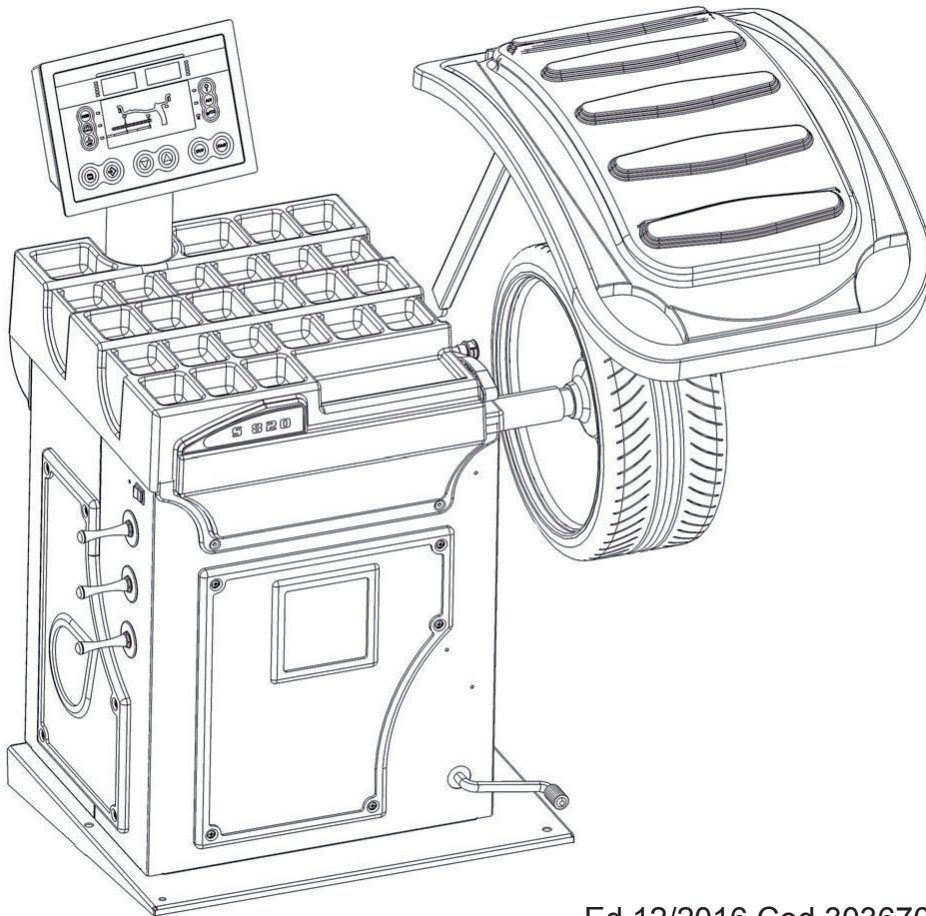


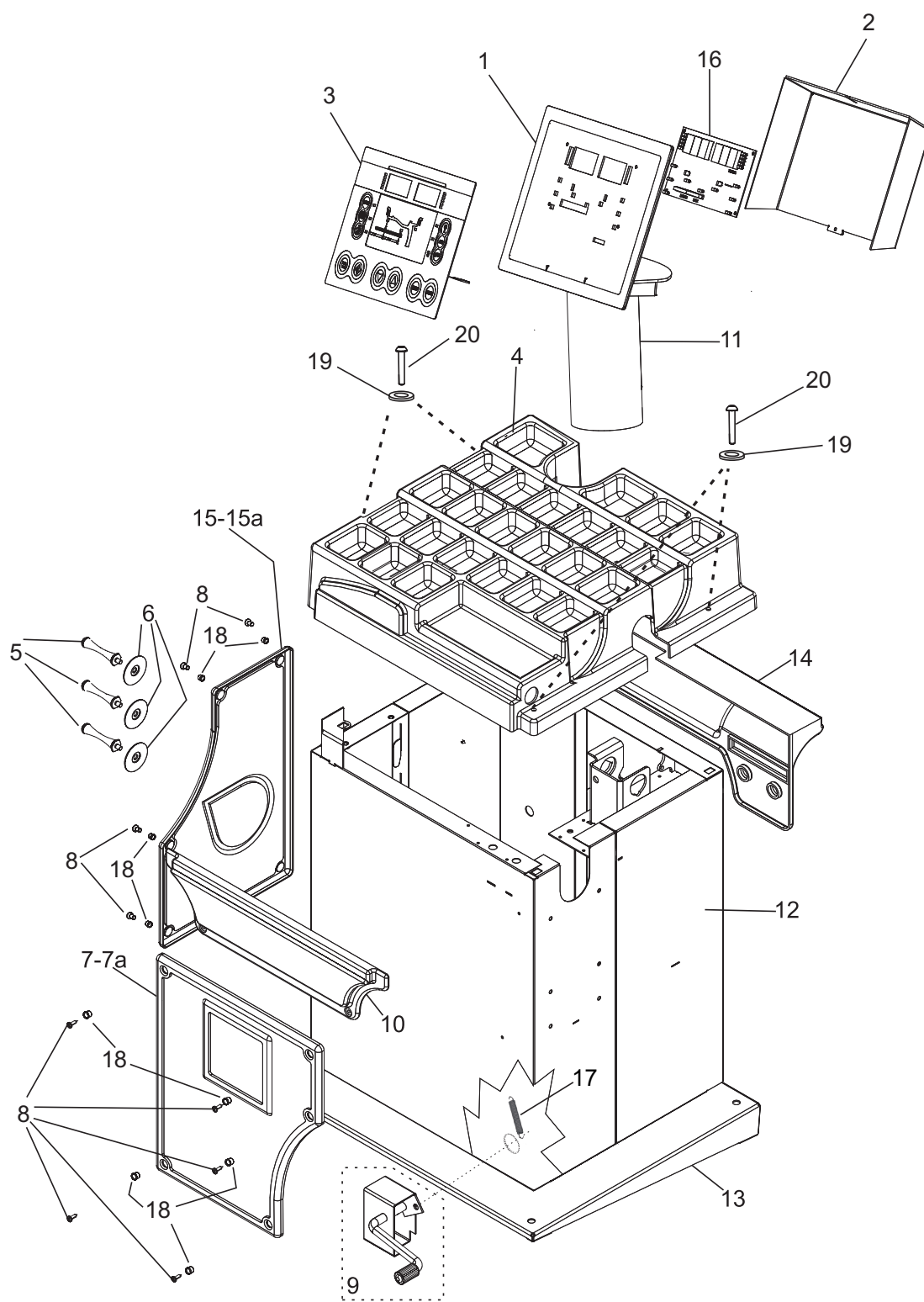


- CATALOGO RICAMBI ORIGINALI
- ORIGINAL SPARE PARTS
- CATALOGUE PIECES D'ORIGINE
- ORIGINALSATZTEILE

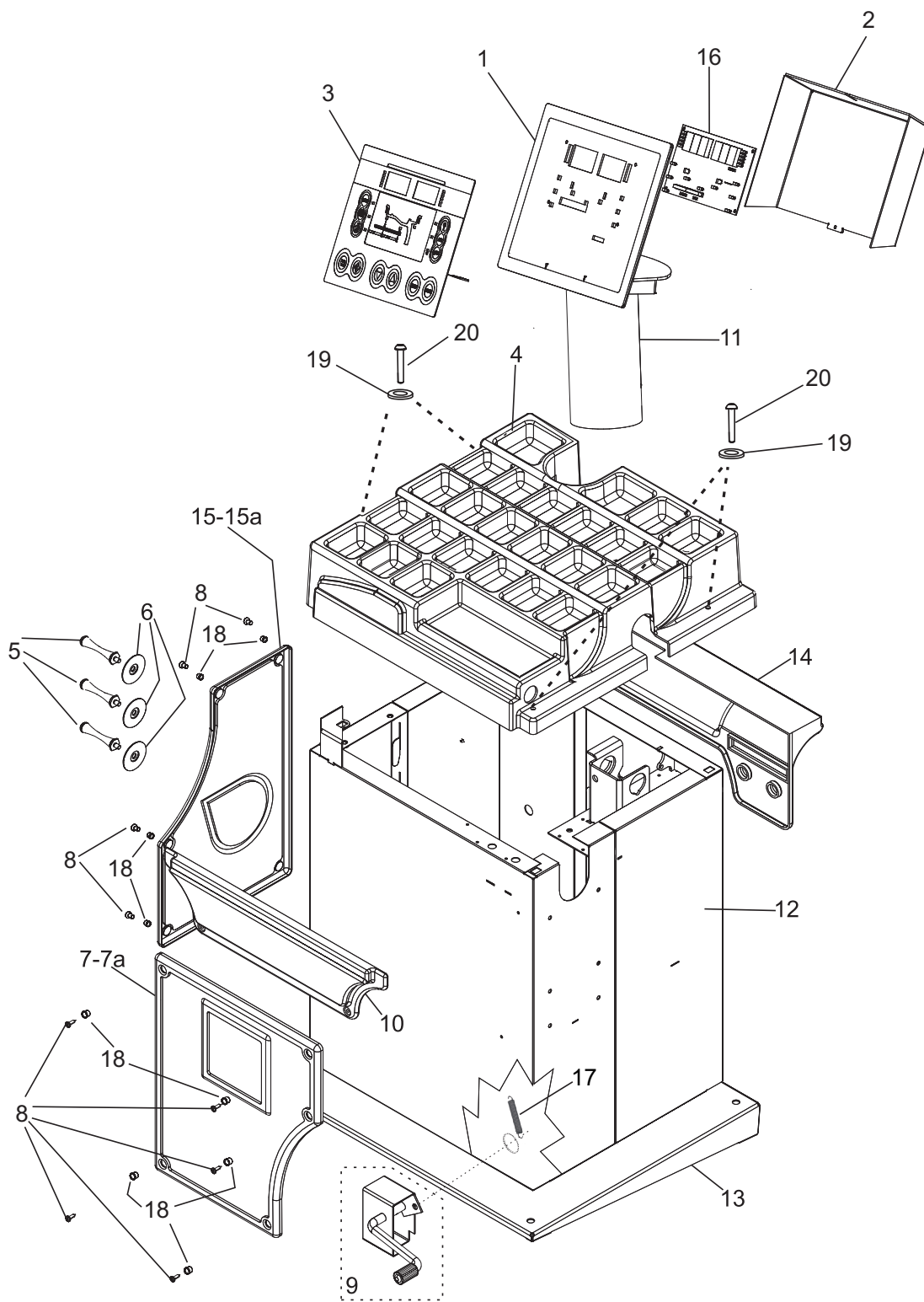
***5820***



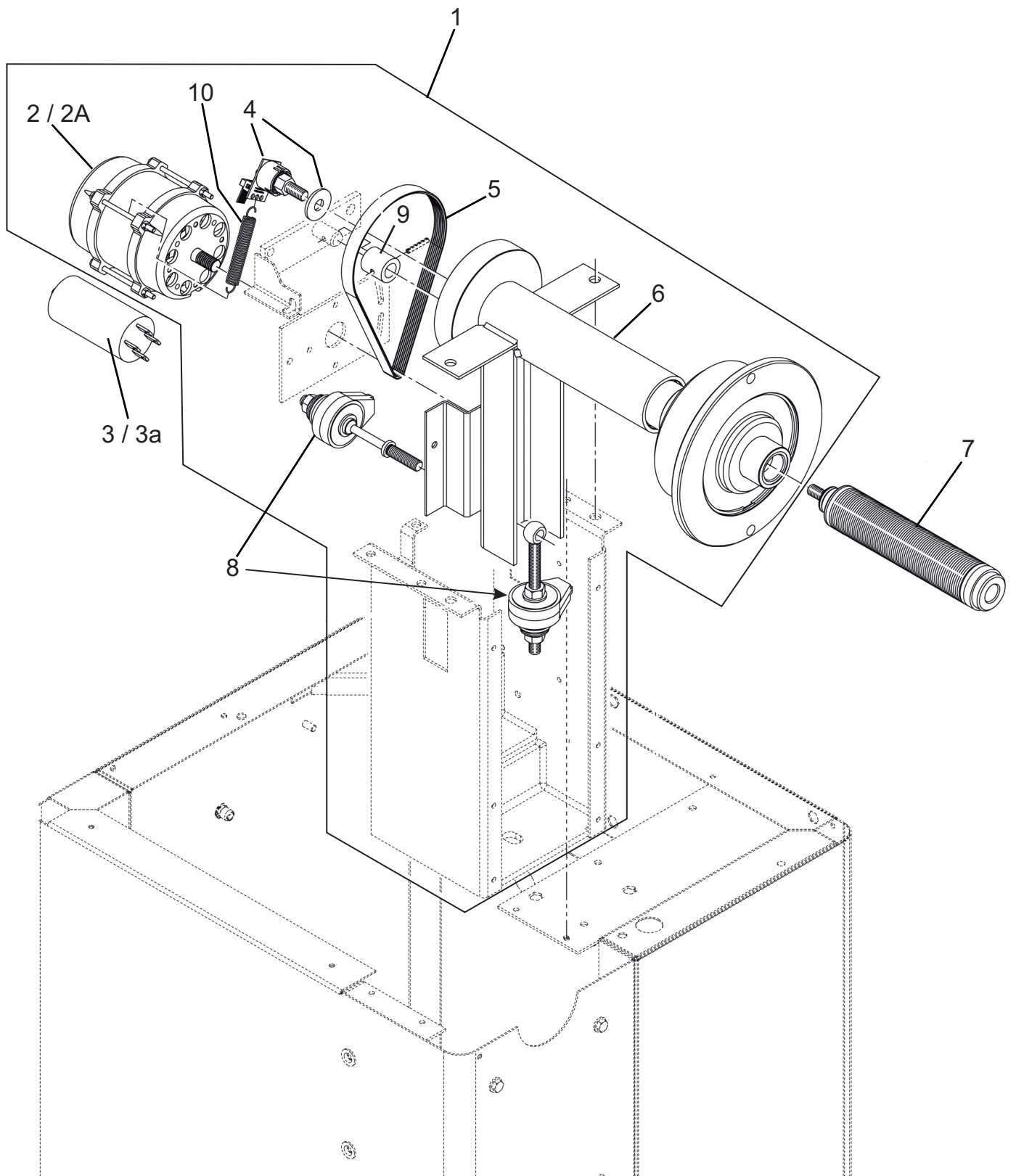
Ed.12/2016 Cod.3036700



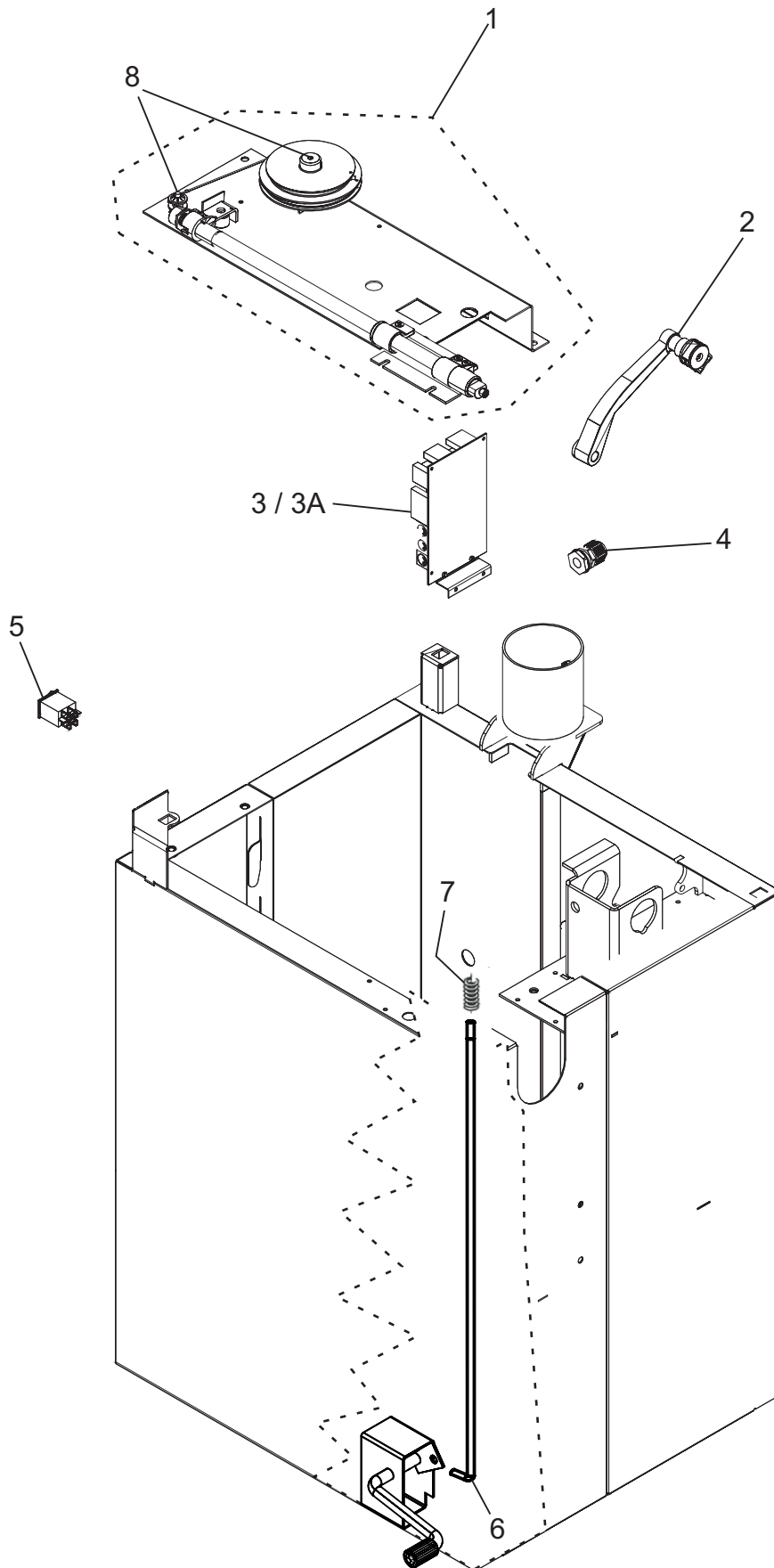
Ref Code	Descrizione	Description	
1	6635205	FLANGIA DISPLAY LED COMPL.	LED DISPLAY FLANGE COMPL. - BLACK
2	6635067	COPERCHIO DISPLAY LED	LED DISPLAY COVER - BLACK
3	3035895	TASTIERA EQUILIBRATRICE	KEYBOARD - BALANCER
4	3034779	COPERTURA PORTAPESI ABS	WEIGHTS HOLDER ABS COVER
5	3036383	PERNO PORTA CONO	CONE HOLDER - PLASTICIZED BLACK
6	3593127	DISCO PER PERNO PORTA CONO	DISC FOR CONE HOLDER
7	3036132	PANNELLO ANTERIORE ABS	ABS FRONT PANEL - BLUE
7a	3036132R	PANNELLO ANTERIORE ABS ROSSO	ABS FRONT PANEL - RED
8	4395637	VITE AUTOF.TCIC 5,5x13 6954 ZNT	SELF-THREADING SCREW 5,5x19 6954
9	3593228	GR. FRENO A PEDALE	PEDAL BRAKE
10	3036039	FRONTALINO ABS EQUILIBRATRICE	ABS FRONT
11	6634981	COLONNETTA MONITOR COMPL.	MONITOR POST - BLACK
12	5834932	CARCASSA COMPLETO	COMPL. CHASSIS
13	6634959	PIEDE INCLINATO COMPLETO	COMPL. RAKING FOOT - PAINTED BLACK
14	3034780	COPERTURA POSTERIORE ABS	ABS BACK COVER
15	3036131	PANNELLO LATERALE ABS - BLU	ABS SIDE PANEL - BLUE
15a	3036131R	PANNELLO ANTERIORE ABS ROSSO	ABS SIDE COVER - RED
16	3593293	SCHEDA ELABORATORE KIT 820	PLC BOARD - KIT 820
17	3593294	MOLLA FRENO A PEDALE	PEDAL BRAKE SPRING
18	4292557	BOCCOLA PER POMELLO D.3 13x10	BUSH 13X10
19	4399863	RONDELLA 8 (9X24X2) ZNT 6593	WASHER 8 (9X24X2)
20	4393113	VITE TBEI M 8X16 10.9 NERA 7380	SCREW TBEI M 8X16 10.9



Ref Code	Descrizione	Description	
1	6635205	FLANGIA DISPLAY LED COMPL.	LED DISPLAY FLANGE COMPL. - BLACK
2	6635067	COPERCHIO DISPLAY LED	LED DISPLAY COVER - BLACK
3	3035895	TASTIERA EQUILIBRATRICE	KEYBOARD - BALANCER
4	3034779	COPERTURA PORTAPESI ABS	WEIGHTS HOLDER ABS COVER
5	3036383	PERNO PORTA CONO	CONE HOLDER - PLASTICIZED BLACK
6	3593127	DISCO PER PERNO PORTA CONO	DISC FOR CONE HOLDER
7	3036132	PANNELLO ANTERIORE ABS	ABS FRONT PANEL - BLUE
7a	3036132R	PANNELLO ANTERIORE ABS ROSSO	ABS FRONT PANEL - RED
8	4395637	VITE AUTOF.TCIC 5,5x13 6954 ZNT	SELF-THREADING SCREW 5,5x19 6954
9	3593228	GR. FRENO A PEDALE	PEDAL BRAKE
10	3036039	FRONTALINO ABS EQUILIBRATRICE	ABS FRONT
11	6634981	COLONNETTA MONITOR COMPL.	MONITOR POST - BLACK
12	5834932	CARCASSA COMPLETO	COMPL. CHASSIS
13	6634959	PIEDE INCLINATO COMPLETO	COMPL. RAKING FOOT - PAINTED BLACK
14	3034780	COPERTURA POSTERIORE ABS	ABS BACK COVER
15	3036131	PANNELLO LATERALE ABS - BLU	ABS SIDE PANEL - BLUE
15a	3036131R	PANNELLO ANTERIORE ABS ROSSO	ABS SIDE COVER - RED
16	3592259	SCHEDA ELABORATORE KIT 820	PLC BOARD - KIT 820
17	3593294	MOLLA FRENO A PEDALE	PEDAL BRAKE SPRING
18	4292557	BOCCOLA PER POMELLO D.3 13x10	BUSH 13X10
19	4399863	RONDELLA 8 (9X24X2) ZNT 6593	WASHER 8 (9X24X2)
20	4393113	VITE TBEI M 8X16 10.9 NERA 7380	SCREW TBEI M 8X16 10.9

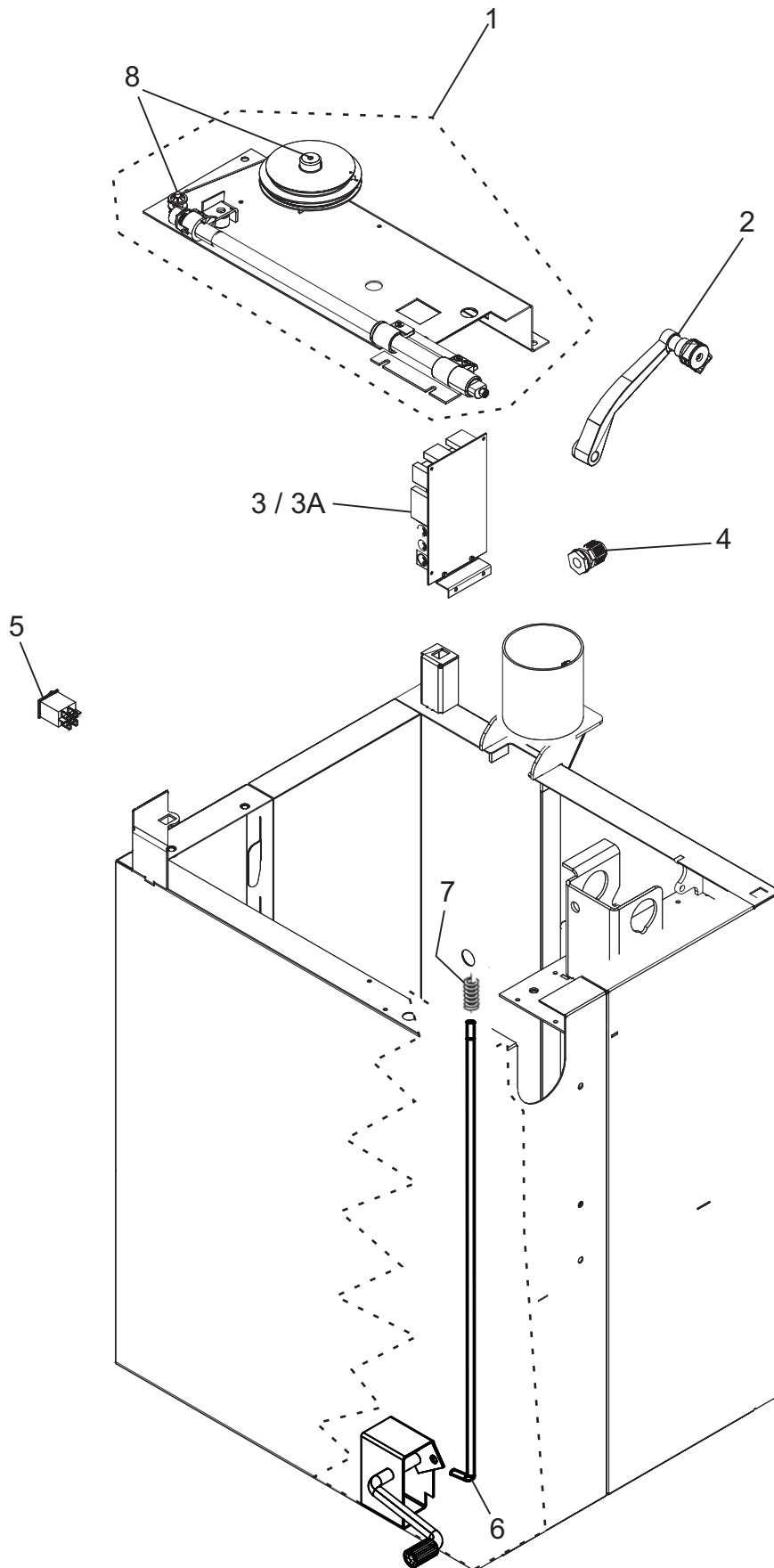


Ref	Code	Descrizione	Description
1	3535098	SCATOLA C/LEVA FRENO V230	BOX WITH BRAKE LEVER V230
2	3592967	MOTORE 230V	MOTOR 230V
2A	3592797	MOTORE 115 V	MOTOR 115 V
3	3595873	CONDENS.EL.10MF/450V FT/VT-M8	CONDENSER 10MF/450V
3A	3595788	CONDENS.EL.35MF/450V 50/60HZ (115V)	CONDENSER 35MF/450V 50/60HZ (FOR 115V VERSION)
4	3535100	DATORE DI FASE + MAGNETE C206/K12 (K)	PICK UP BOARD
5	3593612	CINGHIA POLY-V TB2/7x480	BELT POLY-V TB2/7x480
6	3592965	ALBERO COMPLETO	COMPL. SHAFT
7	3535099	TERMINALE FILETTATO DM40 AL(L.205,5)(K)	THREADED END D.40 AL(L.205,5)(K)
8	3592964	PIEZO COMPLETO	PIEZO SENSOR
9	3592966	BOCCOLA FRENO	BRAKE BUSH
10	3593281	MOLLA X D.F MAGNETICO	SPRING X MAGNETIC PICK UP BOARD





Ref	Code	Descrizione	Description
1	3535101	CALIBRO AUTO DIST-DM+CAVI C73-L/B	AUTOM. GAUGE DIST.-DIAM. + CABLES C73-L/B
2	3596130	INDICE CALIBRO CON PINZETTA (K)	DISTANCE GAUGE POINTER WITH TONGS (K)
3	3535104	SCHEDA POTENZA + SONAR V230	POWER BOARD + SONAR V230
3A	3592212	SCHEDA POTENZA + SONAR V230 115V	POWER BOARD + SONAR V115
4	4598341	PRESSACAVO PG 11 GW52003 IP66 + GHIERA	CABLE FASTENER PG 11 GW52003 IP66 + RING NUT
5	3595875	INTERRUTTORE BASCULANTE 2P/16A C68 NER/NER	SWITCH 2P/16A C68 NER/NER
6	3035139	ASTA FRENO A PEDALE	PEDAL BRAKE SHAFT - ZNT
7	3093283	MOLLA COMM. D. 11.8A (MOLLA ASTA FRENO)	SPRING
8	3593095	POTENZ.DIAMETRO E DISTANZA	DISTANCE/DIAMETER POTENTIOMETER CABLE

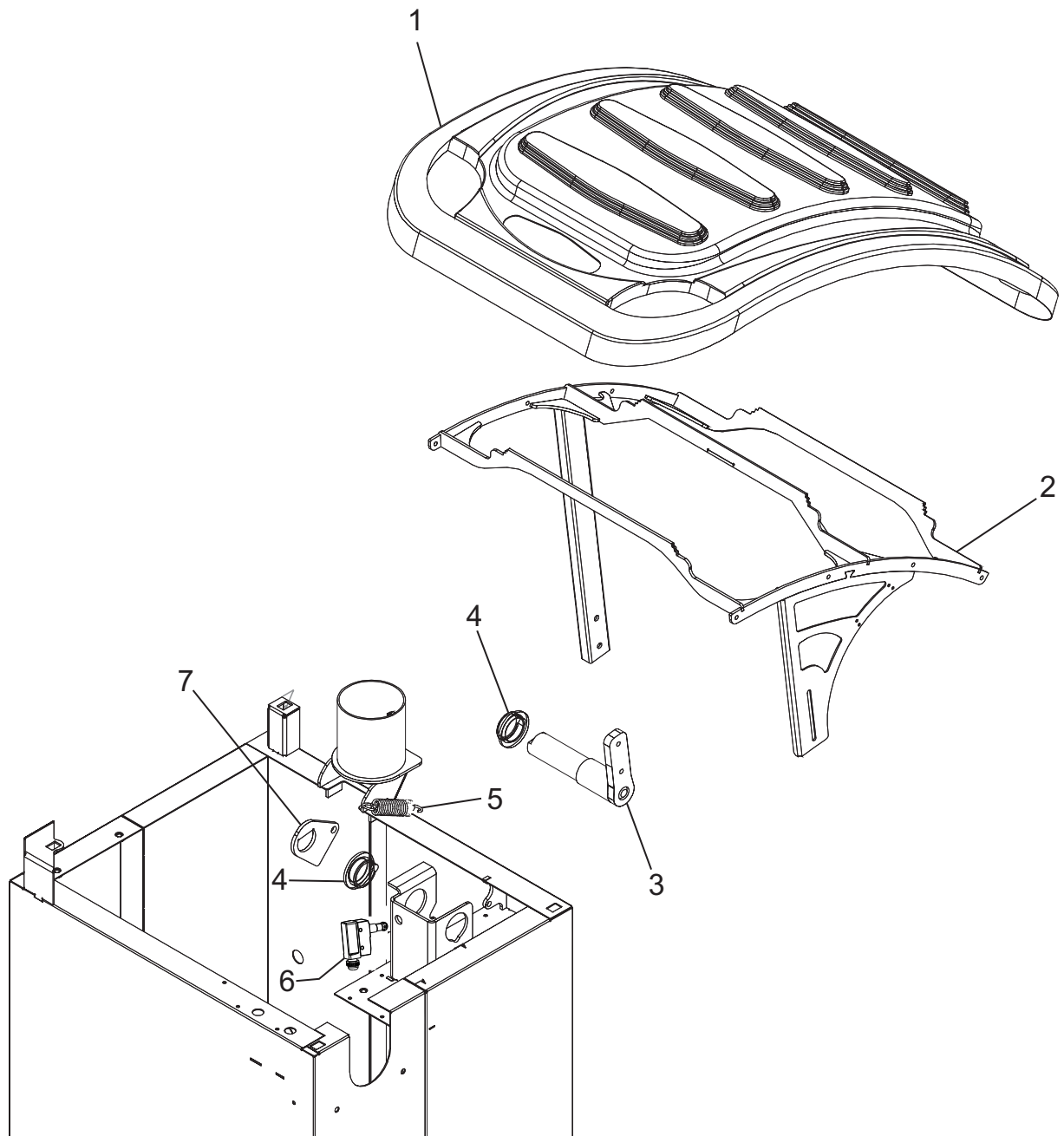


Ed. 12/2016

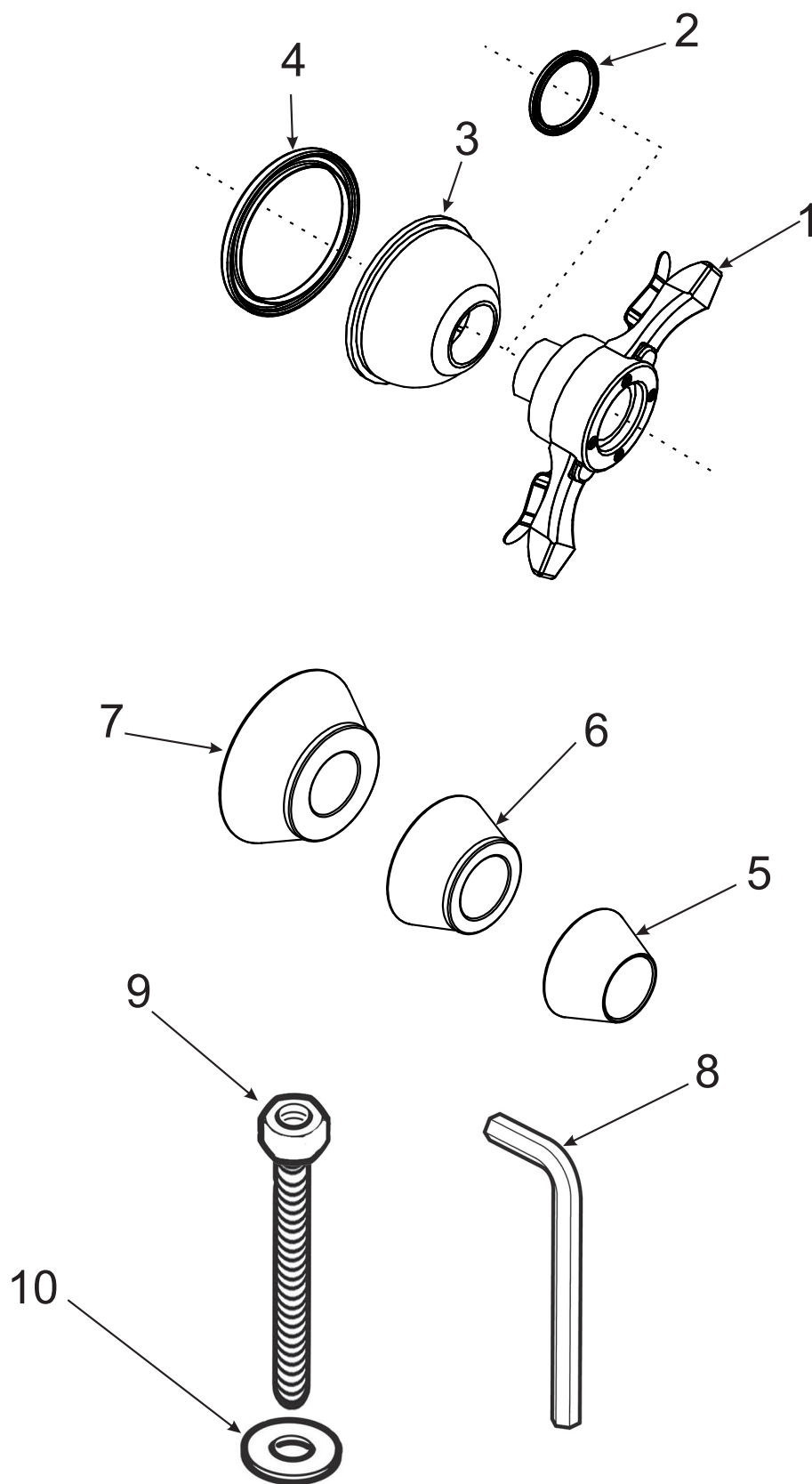
DA NUMERO DI SERIE:  
FROM SERIAL NUMBER: 16161900069

TAV. 3A

Ref	Code	Descrizione	Description
1	3535101	CALIBRO AUTO DIST-DM+CAVI C73-L/B	AUTOM. GAUGE DIST.-DIAM. + CABLES C73-L/B
2	2041208	INDICE CALIBRO 30"	DISTANCE GAUGE POINTER 30"
3	3535104	SCHEDA POTENZA + SONAR V230	POWER BOARD + SONAR V230
3A	3592212	SCHEDA POTENZA + SONAR V230 115V	POWER BOARD + SONAR V115
4	4598341	PRESSACAPO PG 11 GW52003 IP66 + GHIERA	CABLE FASTENER PG 11 GW52003 IP66 + RING NUT
5	3595875	INTERRUTTORE BASCULANTE 2P/16A C68 NER/NER	SWITCH 2P/16A C68 NER/NER
6	3035139	ASTA FRENO A PEDALE	PEDAL BRAKE SHAFT - ZNT
7	3093283	MOLLA COMM. D. 11.8A (MOLLA ASTA FRENO)	SPRING
8	3593095	POTENZ.DIAMETRO E DISTANZA	DISTANCE/DIAMETER POTENTIOMETER CABLE



<b>Ref</b>	<b>Code</b>	<b>Descrizione</b>	<b>Description</b>
1	3034979	GUSCIO ABS PROTEZIONE RUOTA	ABS WHEEL GUARD
2	6636248	TELAIO PER ABS PROTEZIONE RUOTA	FRAME FOR ABS WHEEL GUARD - PAINTED BLACK
3	2134976	PERNO FINECORSIA COMPLETO	LIMIT STOP PIN - ZNT
4	3596220	BOCCOLA TELAIO TUBOLARE	FRAME BUSH
5	3000114	MOLLA PROTEZIONE RUOTA	SPRING
6	3594959	CAVO CON MICRO PER PRU	CABLE w/ MICROSWITCH
7	3034978	PIASTRA FINECORSIA	LIMIT SWITCH PLATE



Ref	Code	Descrizione	Description
1	3594984	GHIERA RAPIDA GP40	QUICK RING NUT GP40
2	3594972	ANELLO PRESSIONE X FLANGIA STND. D.40	PRESSURE RING X FLANGE D.40
3	3594973	MANICOTTO X FLANGIA STND. D.40	SLEEVE FOR FLANGE D.40
4	3593443	ANELLO IN PULIORETANO	POLYURETHAN RING
5	3595091	CONO D. 43-69 D.40	CONE D.43-69 D.40
6	3595092	CONO D. 60-81 D.40	CONE D.60-81 D.40
7	3595093	CONO D. 79-110 D.40	CONE D.79-110 D.40
8	3596761	CHIAVE ESAGONALE 8 mm	HEXAGON WRENCH 8
9	3596869	VITE TCEI M10x160 UNI 5931	SCREW 10x160
10	4398626	ROND.DENT.CON.D.10(10,5x16x1,2)ZNT	TOOTHED WASHER D.10



**GIULIANO INDUSTRIAL S.p.A.**

Via Guerrieri, 6

42015 CORREGGIO (RE)

[www.giuliano-automotive.com](http://www.giuliano-automotive.com)

[info@giuliano-automotive.com](mailto:info@giuliano-automotive.com)